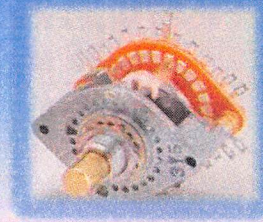


Rotary switch

RS113 Series



Outline

RS series embody the manufacturing history of our company. All series are sturdy and solid with high dependability designed for control units of plants, installations, audio equipment, etc.

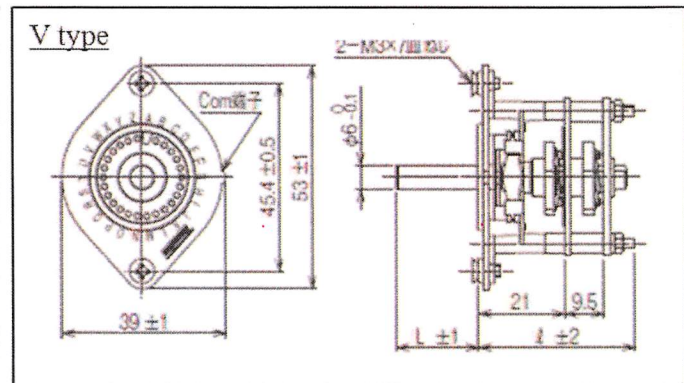
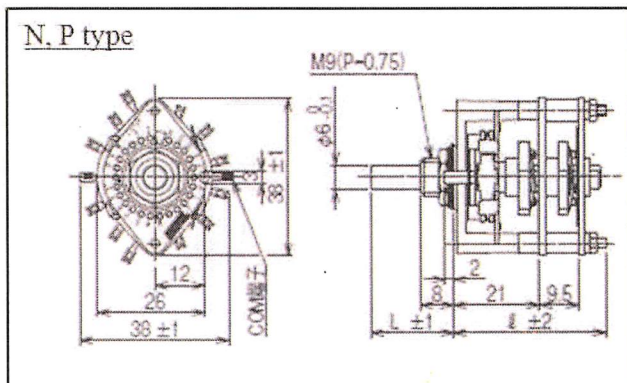
Features

- Free to change the number of switch positions by replacing self tapping screws.
- Eco friendly: RoHS compliant
- Step angles: 13.85°, 27.69°
- Waterproofed model available

Specification

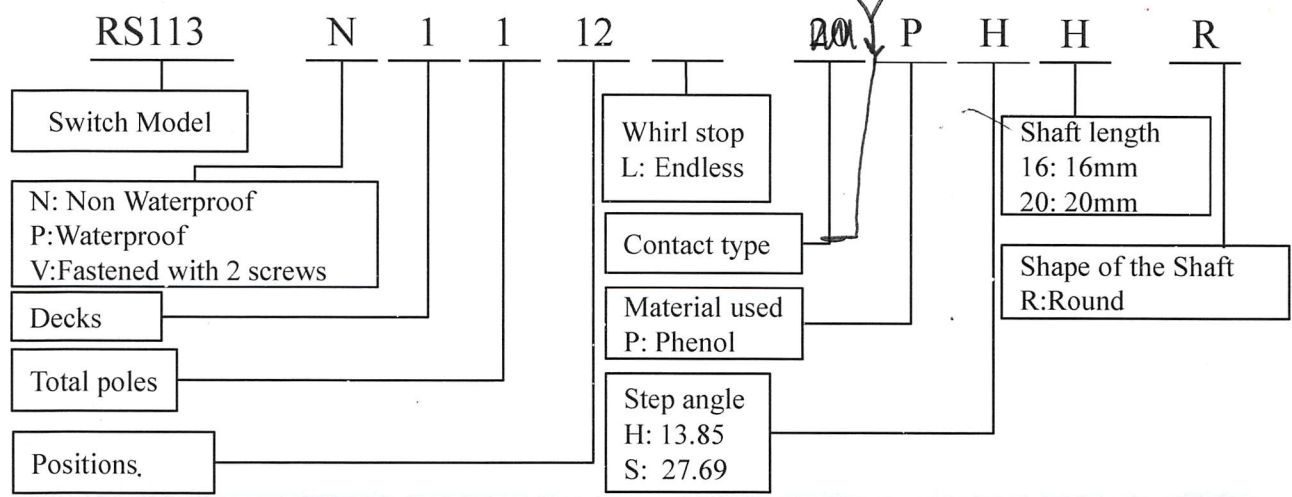
Items		Rated Value	
Operating temperature		-20°C~70°C	Keep the body unfrozen
Storage temperature		-40°C~70°C	
Rotational torque		0.10N~0.25N·m	
Terminal strength		10N	
Nut fastened strength		2N·m	
Solder resistance		Temperature 350±10°C, Time length 3±1 second	
Water proofing(on panel waterproof)		Depth in water 2m, Time length 2h	
Vibration Durability		Range 10~55~10Hz/min	
		No defect found after 2h of vibration stroke for 1.5mm to each XYZ direction	
Contact resistance		≤ 10mΩ	
Insulation resistance		DC500V/After1min	Terminal to terminal 500MΩ ≧
Withstanding voltage		AC500/1min	Terminal to terminal
Rated value	DC,AC	20V 0.5A/ 100V 0.1A	
Durability	Rotational	Over 50000 times rotations (Without load)	
	Humidity	40±2°C, relative humidity 90%-95%, 48 hours	
	Heat	70±2°C, 16 hours	
	Cold	-20±3°C, 16hours	

Dimensions(mm)

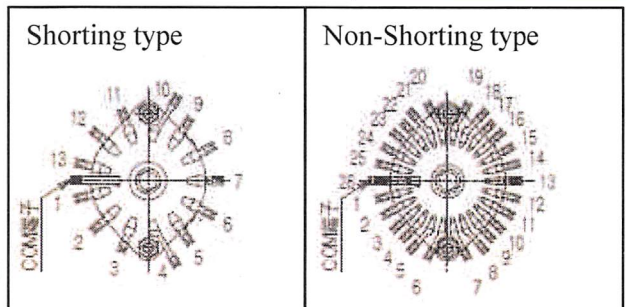


A = Non-Shorting
B = Shorting

Part Number Designation



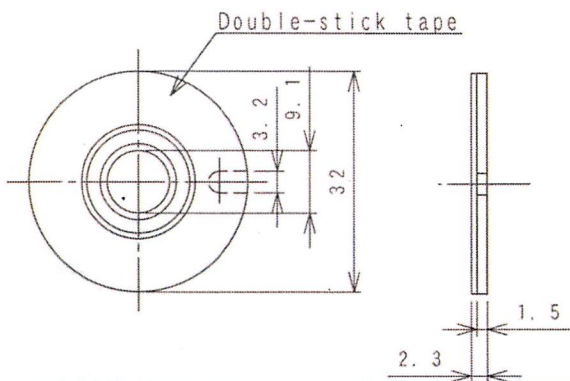
RS113 Rear View



Part number reference

Decks	Total poles	Max. positions	
		Step angle H	Step angle S
1	1	25(26)	13◎
2	2	25(26)	13◎
3	3	25(26)	13◎
4	4	25(26)	13◎

RS113 Accessory (Only P type)



*Step angle H = only shorting
 *Step angle S = Shorting and non shorting
 *Position (26) = Only endless
 *◎ means = with stopper or endless available

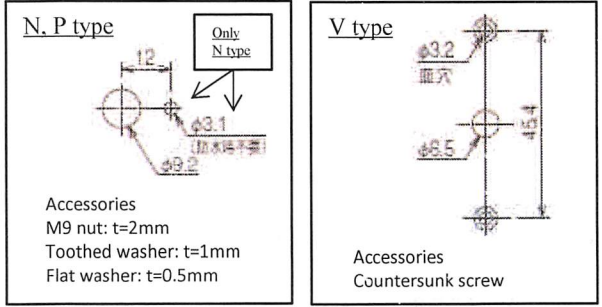
Depth dimensions (ℓ)

Decks	1	2	3	4
ℓ (mm)	28	38	48	56

Shaft dimensions (L)

	Standard dimension (mm)	
L (mm)	16	20

Mounting hole(without adapter)



Precautions

- How to connect panel
 1. Peer double-sided tape off.
 2. Stick double-sided tape to the panel (Pay attention to direction of adapter)
 3. Use M9nut, toothed washer and washer to tighten panel and adapter.
 4. M9 nut tightening torque shall be up to 2N.m.
 5. Use double-sided tape under clean condition.